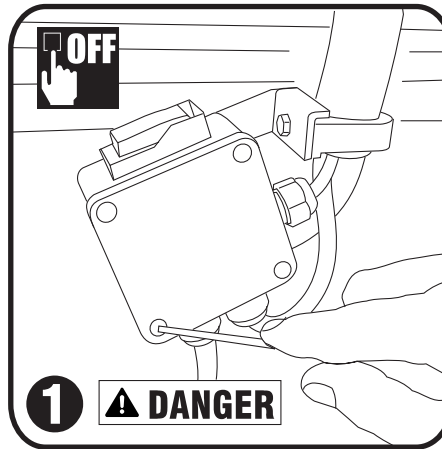


## REMOVAL OF OLD SWITCH

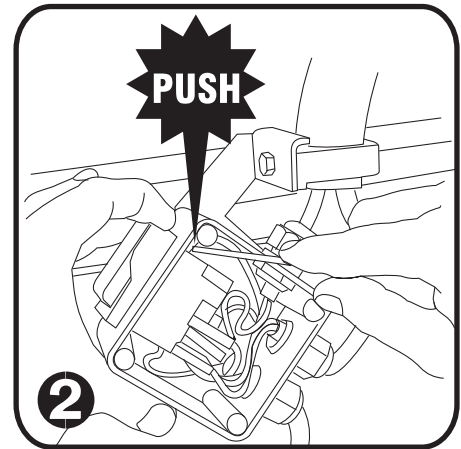


Prior to replacing the switch, please carefully read and understand the Operating Manual, including the DalTool® Safety Instructions, that was supplied with your DalTile® Tile Saw.

These Instructions apply to DalTile® Models 816BrS and 828BrS.

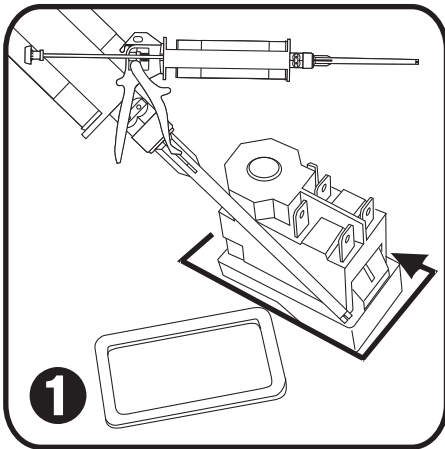


**IMPORTANT:** Make sure the machine is turned off and disconnected from the mains. Remove cover on Switch Plate.

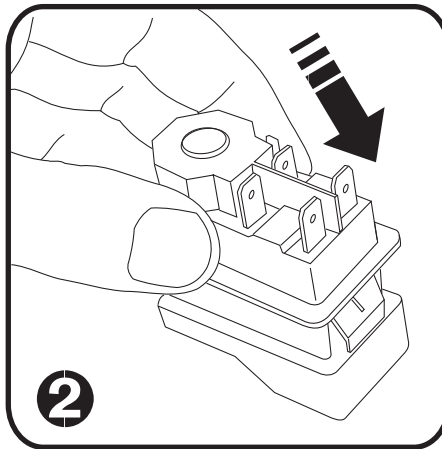


Using a screwdriver (flat head), push both ends of the switch out of the switch housing until it can be removed by hand. Disconnect the wires from the switch.

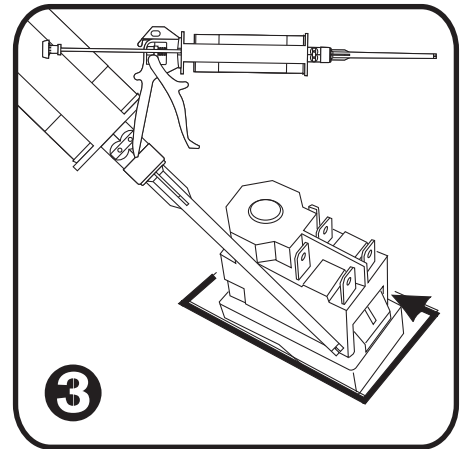
## INSTALLATION OF NEW SWITCH



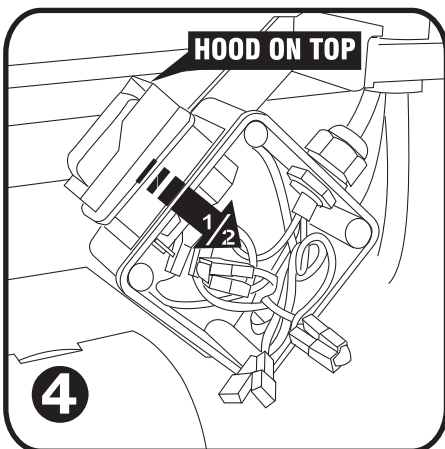
Place a bead of silicone caulking around the base of the switch.



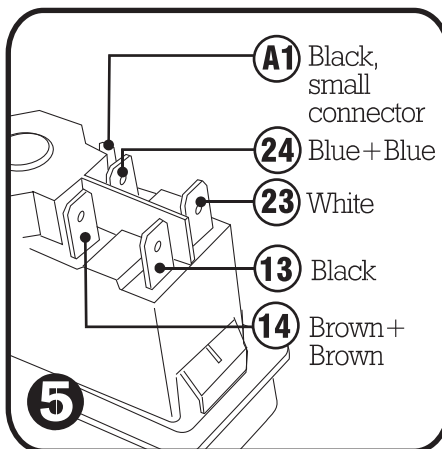
Place rubber gasket over switch and push gasket down around the base of the switch.



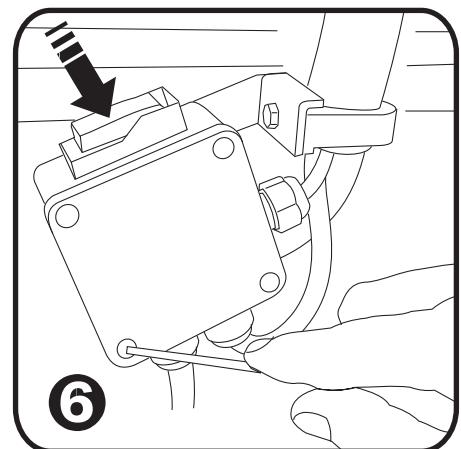
Place a bead of silicone caulking on top of the rubber gasket up against the side of the switch.



Insert switch appr. halfway into the switch housing. Please note to keep switch hood on top.



Reconnect wires to their proper pins.



Finish inserting switch into switch housing and replace switch coverplate.