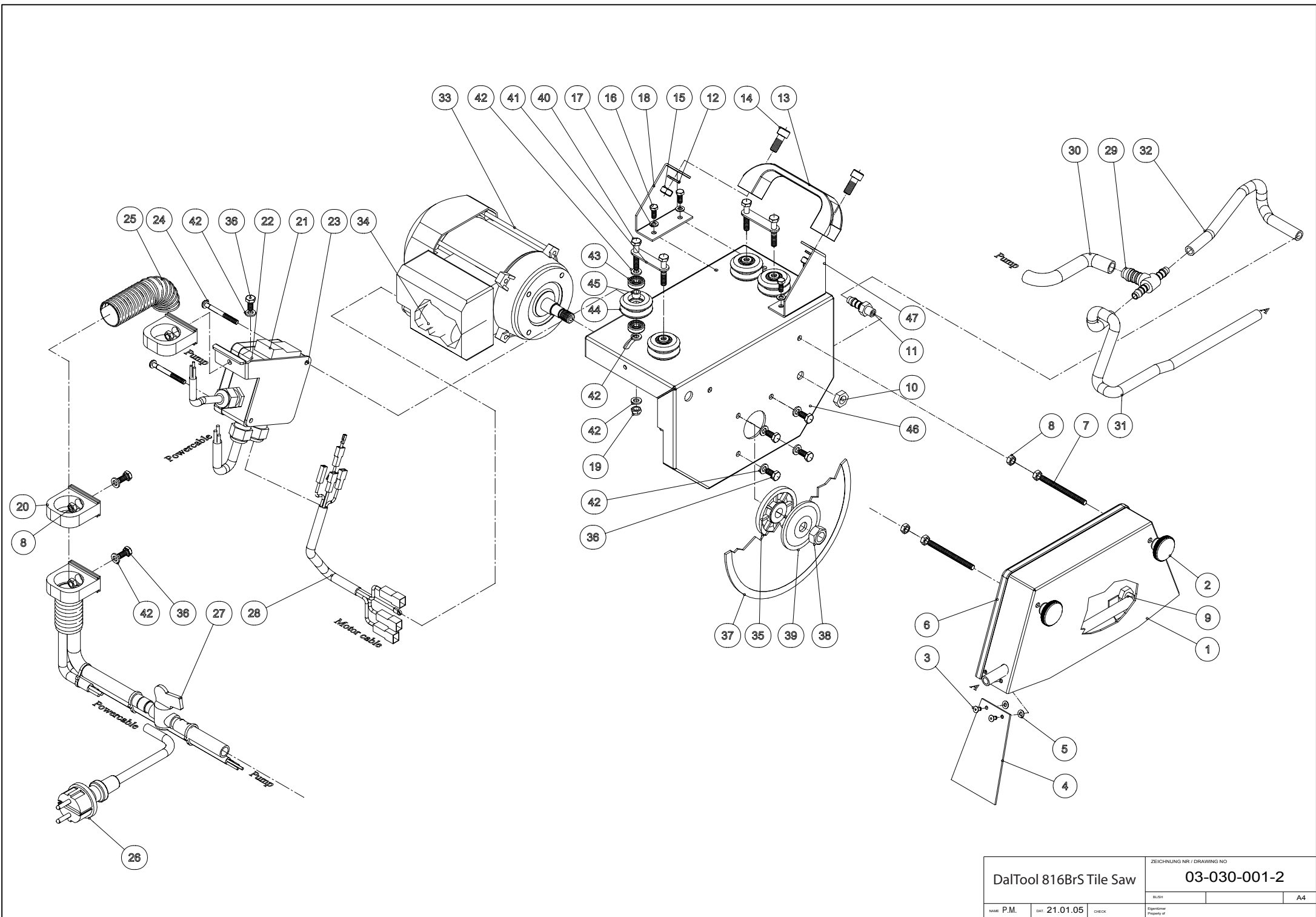


DalTool 816BrS Tile Saw			ZEICHNUNG NR. / DRAWING NO.	
			03-030-002-1	
			BLSH	
			A4	
NAME P.M.	DATE 21.01.05	CHECK	Eigentümer Property of	



DalTool 816BrS Tile Saw			ZEICHNUNG NR. / DRAWING NO. 03-030-001-2	
NAME: P.M.	DATE: 21.01.05	CHECK:	Exploster Property of:	A4